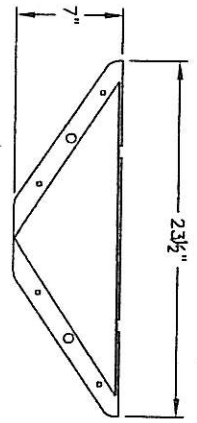
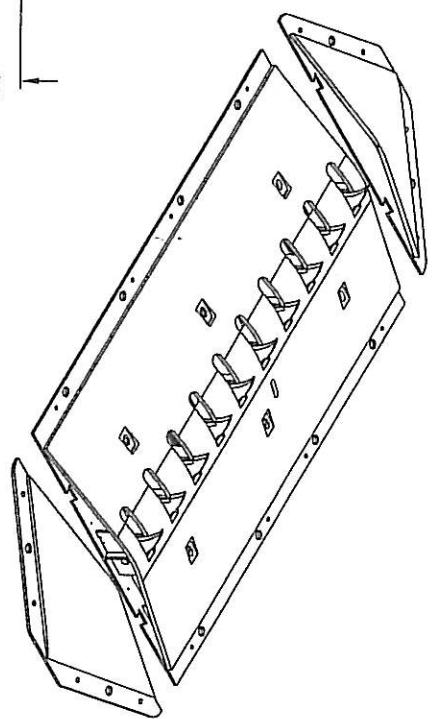
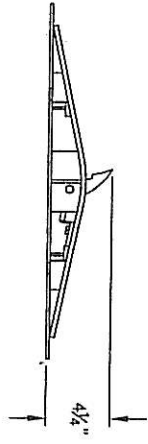


1230.100  
36" TRAFFIC CONTROL SECTION



1230.190  
END BEVEL (SOLD IN PAIRS)



4291 S. COUNTRY CLUB RD., TUCSON, AZ 85714-2009 USA  
E-mail: sales@guardiantrafficsystems.com  
1.520.881.3390 FAX 1.520.320.1820  
http://www.guardiantrafficsystems.com

DESCRIPTION			
COBRA 1230			
SURFACE MT. SYSTEM			
DATE	REVISED	BY	REASON
4/4/07		NTS	
QUANTITY	UNIT	PRICE	REMARKS
GTS	1 OF 1		B
TC-1230.100 & .190			0

COPYRIGHT © 2007 GUARDIAN TRAFFIC SYSTEMS